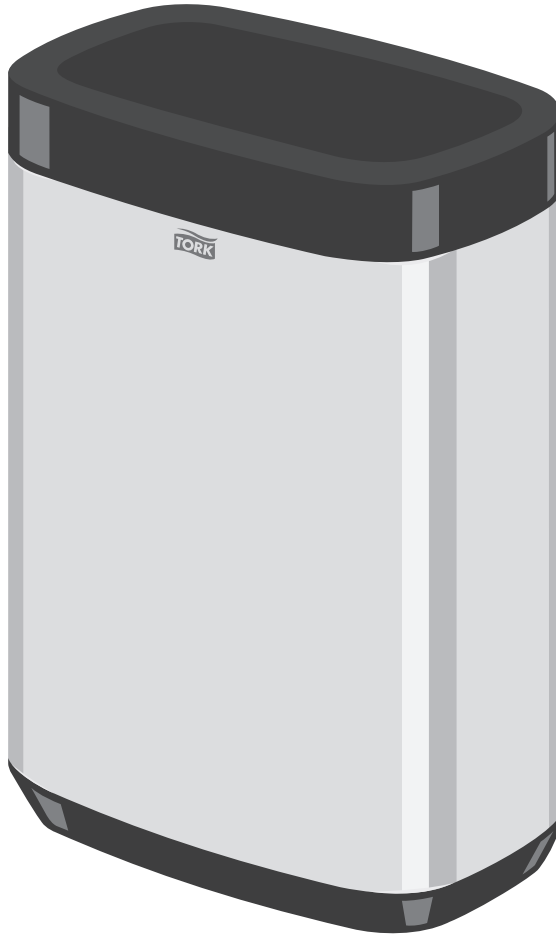


# Tork Bin 50 Litre

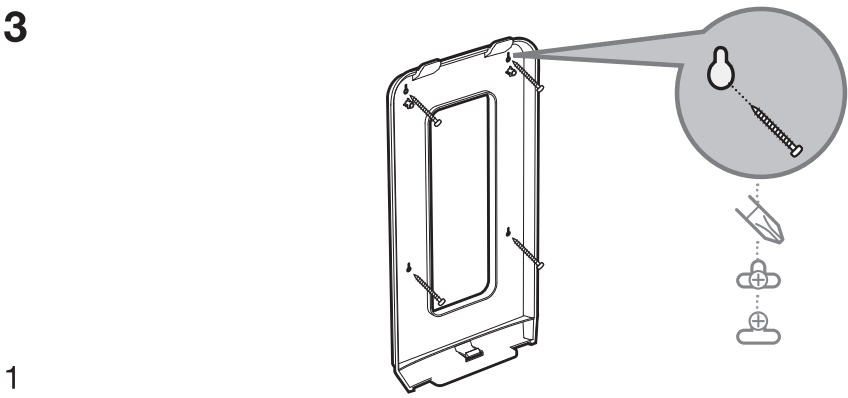
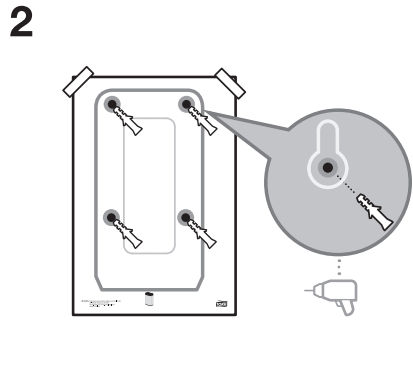
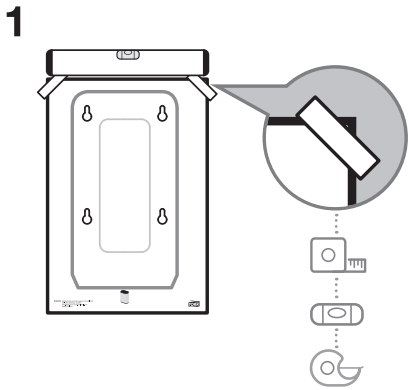
**B1**



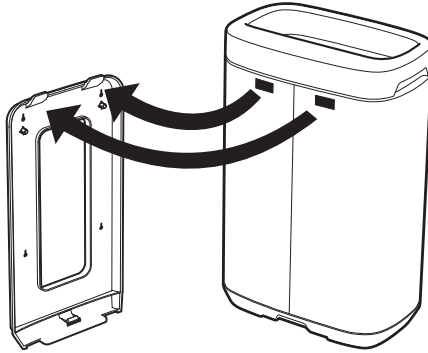
# Tork Bin 50 Litre

Parts list for the Tork Bin 50 Litre assembly:

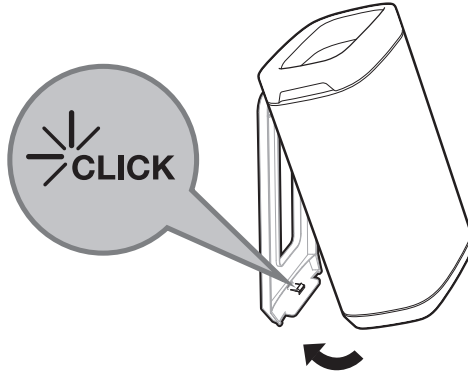
- 1 x Tork Bin 50 Litre (shown in its packaging)
- 4 x Screws (shown as a long screw)
- 4 x Spacers (shown as a T-shaped piece)
- 2 x Screws (shown as a shorter screw)
- 1 x Bin (shown as a separate component)
- 1 x Bin (shown as a separate component)
- 1 x 8mm Drill Bit
- 1 x Screwdriver
- 1 x Washer
- 1 x Nut



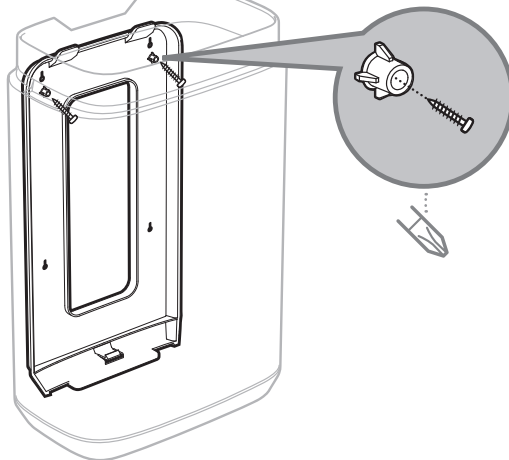
4



5

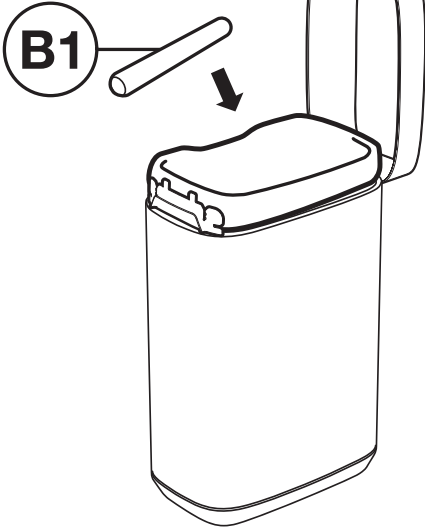


6

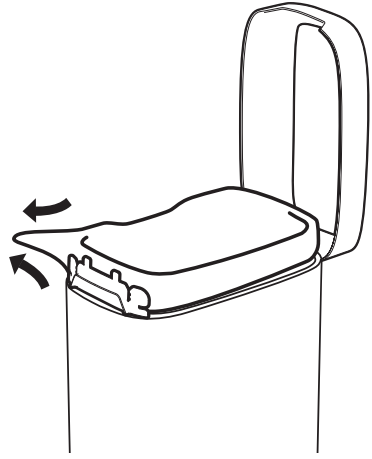


Tork Bin 50 Litre

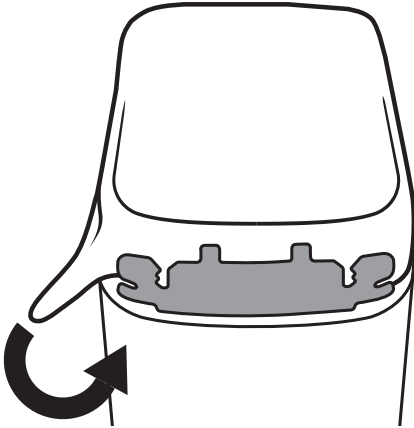
1



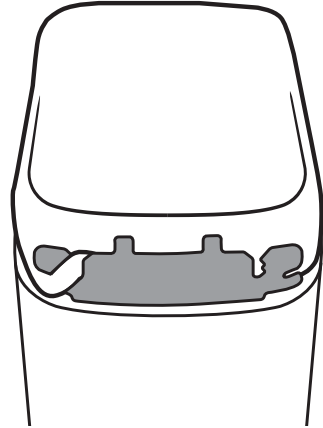
2



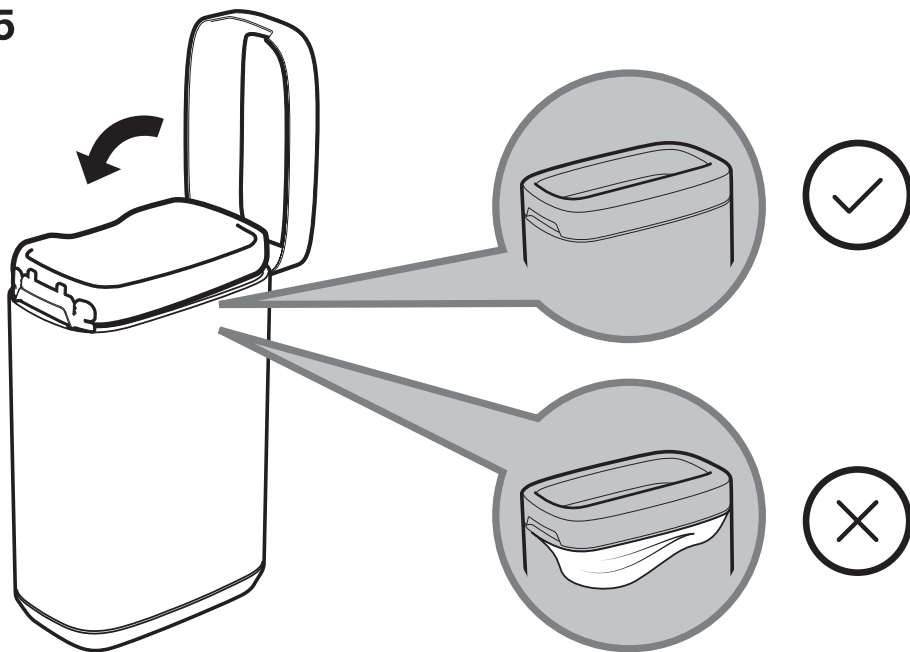
3



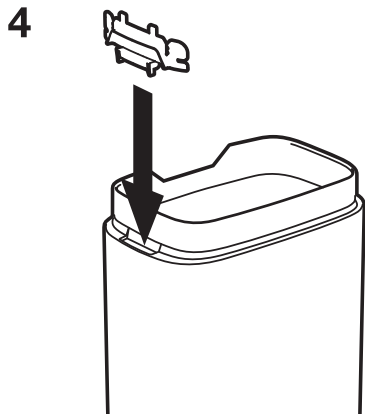
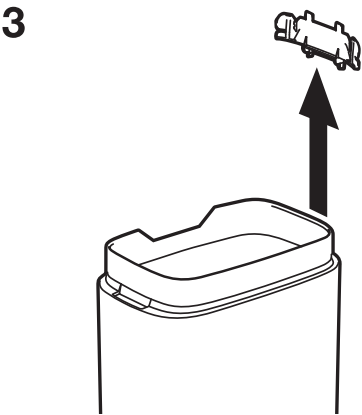
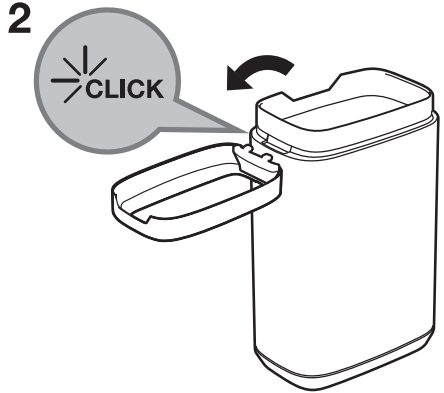
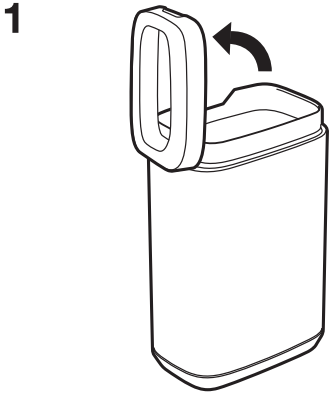
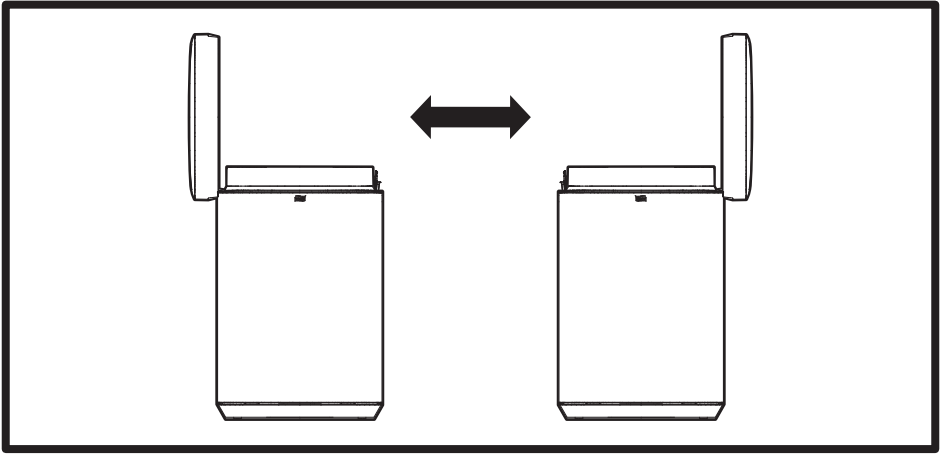
4



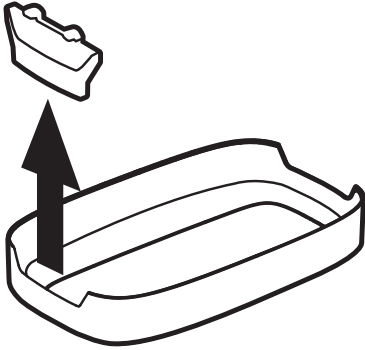
5



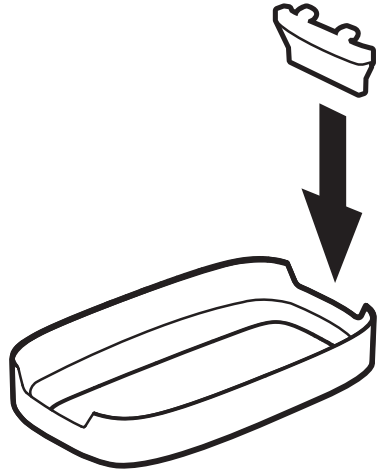
Tork Bin 50 Litre



5



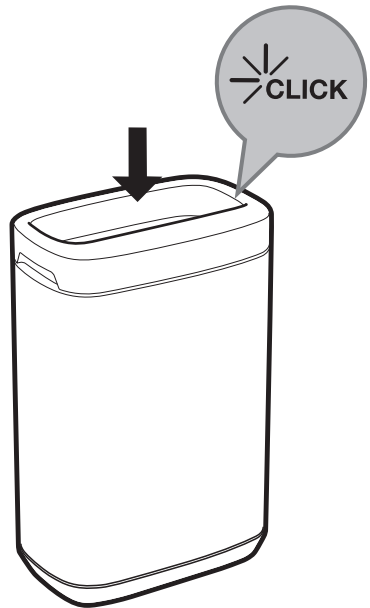
6



7



8



## Disposal

- Damaged or malfunctioning product should be disposed of immediately to avoid potential of injury
- Products should be disposed of in accordance with applicable regulations

## Cleaning instructions

- Clean dispenser with mild detergent and soft cloth

European community design registration RCD 002601922



**essity** Manufactured by Essity Hygiene and Health AB  
SE-40503 Göteborg, Sweden  
[www.essity.com](http://www.essity.com), [www.torkglobal.com](http://www.torkglobal.com)  
Made in Poland