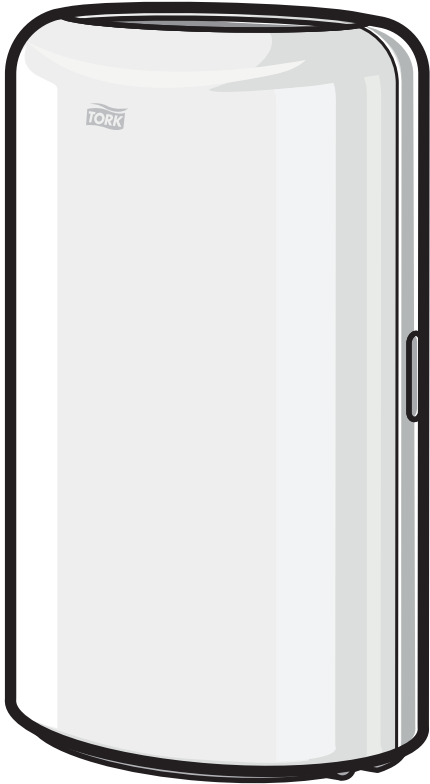


# Tork 50 litre Bin

Elevation  
Design

**B1**



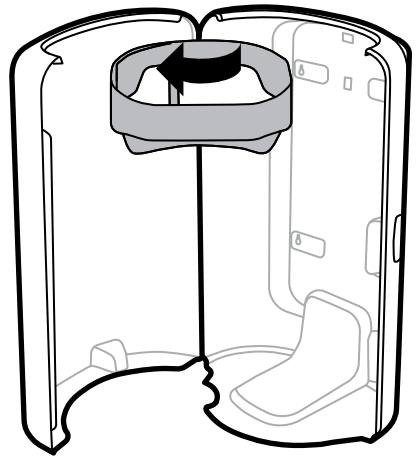
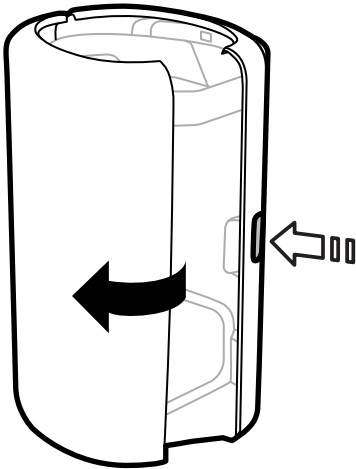
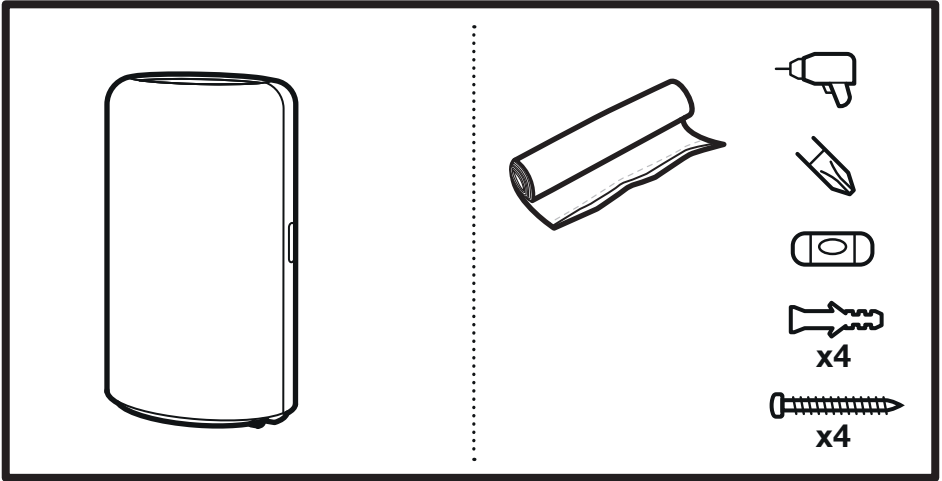
Think ahead.

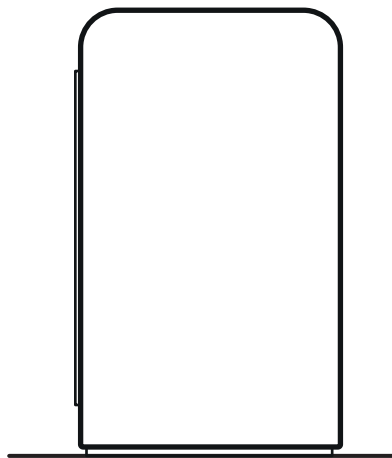
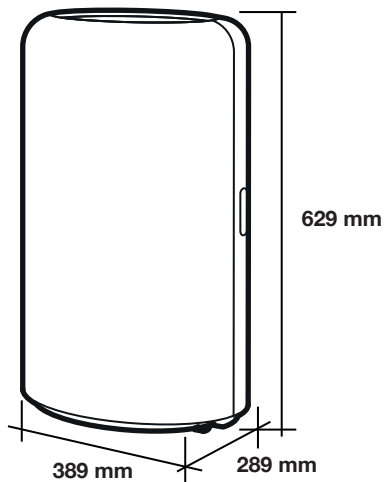


- Clean dispenser with mild detergent and soft cloth.

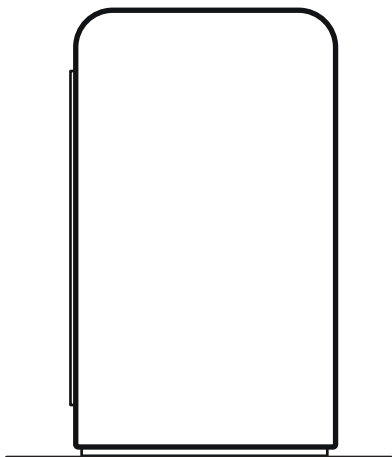


- Damaged or malfunctioning product should be disposed of immediately to avoid potential of injury.
- Products should be disposed of in accordance with applicable regulations.

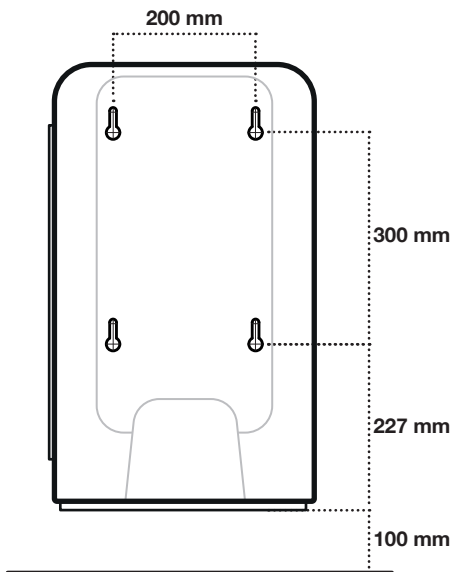




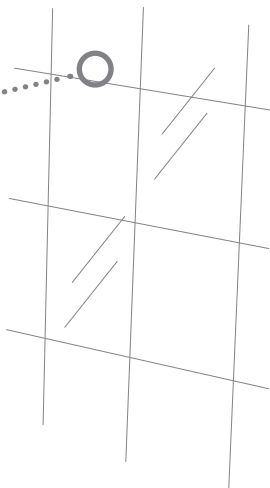
### Alt 1



### Alt 2

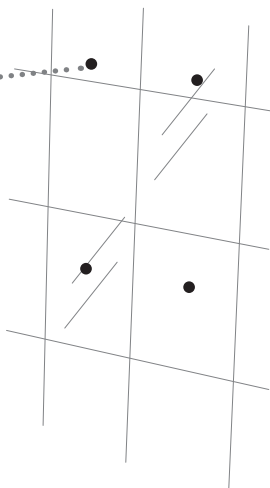
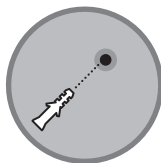


1

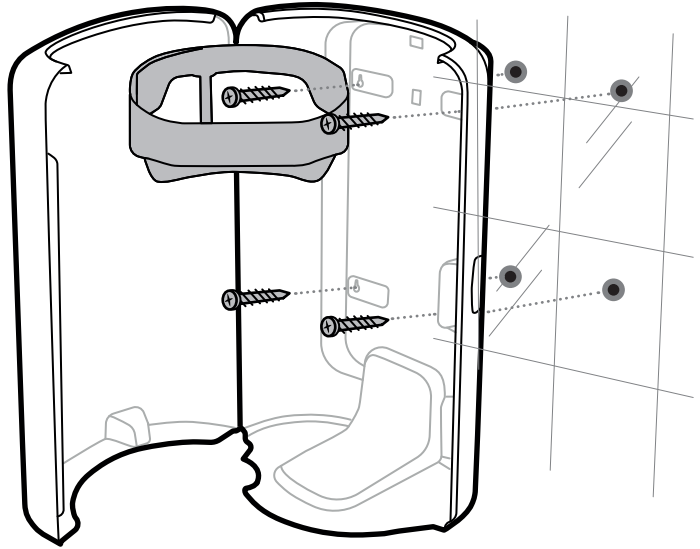
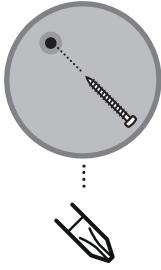


---

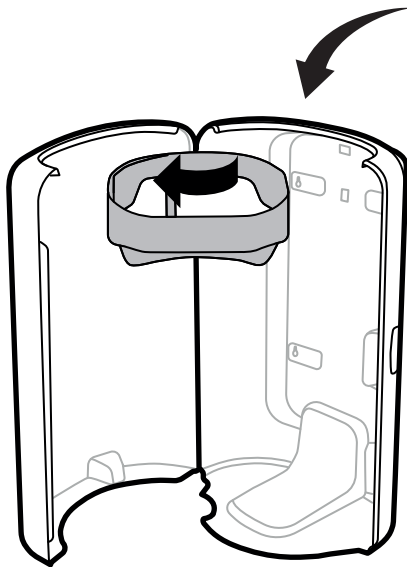
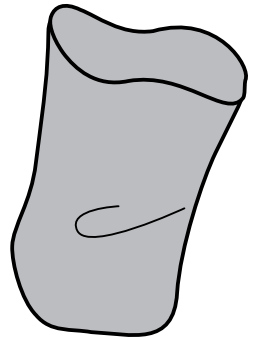
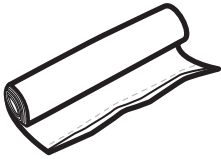
2



3



1

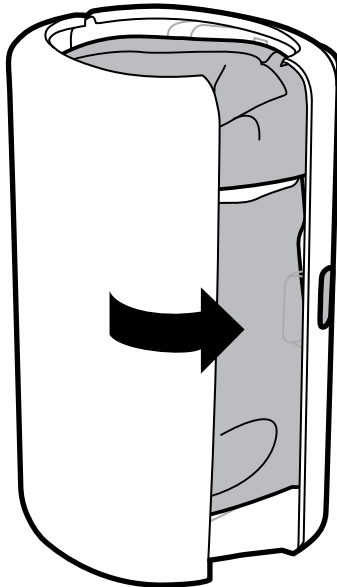


2



---

3





Manufactured by Essity Hygiene and Health AB  
SE-40503 Göteborg, Sweden  
Visiting address: Mölndals Bro 2, Mölndal  
[www.essity.com](http://www.essity.com), [www.torkglobal.com](http://www.torkglobal.com)  
Made in Poland  
Patents/Brevets/Patentes: [www.essity.com/patents](http://www.essity.com/patents)